

Refrigerated Display Driver



FEATURES

- AC120/277 input
- 80, 100 and 150 watt power available
- 50/60 Hz Line frequency.
- Short circuit and open circuit protection for DC +/-.
- Life span of more than 50,000 hours.
- Custom connector options available for both AC and DC side.
- -40 to +60 degrees C ambient operating temp.
- cRUus E491468, ROHS, CE, SELV, ENEC, VDE-EMC, UKCA, VDE-S, RCM, CCC, FCC

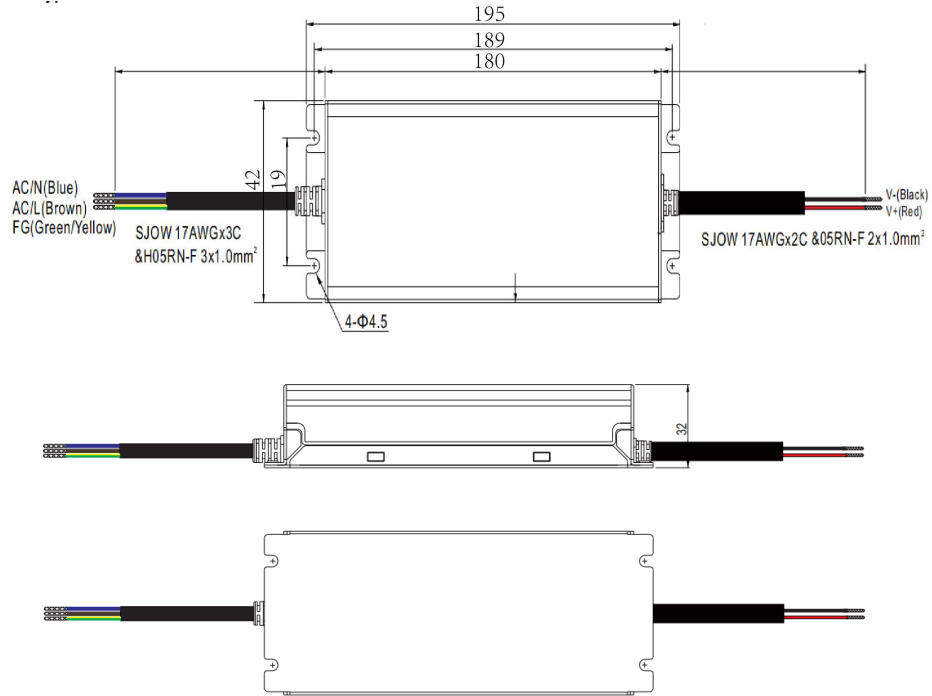


Product Parameters

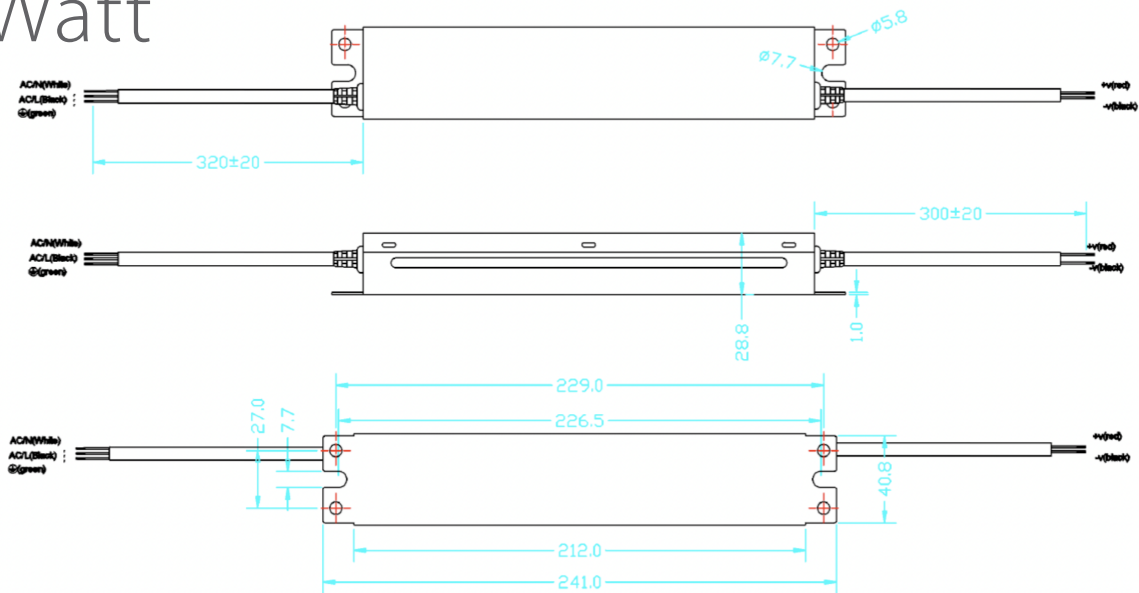
MODEL	OUTPUT POWER (WATTS)	INPUT CURRENT (ARMS)	OUTPUT VOLTAGE (V) CURRENT (A)	THD @ Max Load	Power Factor @ Max Load	SURGE PROTECTION COMMON/DIFF (KV)	INRUSH CURRENT A	WORKING TEMP
GWL-FSL-LD2-08024V	80	AC120=0.8 AC277=0.35	24 / 0.10~ 3.3A	<20%	>0.9	3.8/4	AC120-50 AC277-100	-40° - 60° C
GWL-FSL-LD2-10024V	100	AC120=0.95 AC277=0.40	24 / 0.10~ 4.16A	<20%	>0.9	4/4	AC120-36 AC277-84	-40° - 65° C
GWL-FSL-LD2-15024V	150	AC120=1.5 AC277=0.65	24 / 0.10~ 6.25A	<20%	>0.9	7/7.5	AC120-50 AC277-100	-40° - 60° C

GO WITH LED[®]

80 Watt



100 Watt



150 Watt

