

WALL PACKS

LED Half Cut-off Wall Pack

The Fudakin™ Half Cut-off Wall Pack Lighting series are a terrific source of light for any outdoor applications where illumination is required. These Wall Packs offer a direct replacement to both traditional and dark-sky friendly fixtures while blending outstanding technical innovation with quality design.



FEATURES

- Outstanding optical design providing an efficient light source
- Anti-glare design during evening use enabling high safety rating
- The built-in high thermal conductivity aluminum radiator ensures excellent heat dissipation for the service life of these fixtures
- High lumen output is ideal for illuminating large, open spaces
- Attractive styling and durability
- Offers direct wall mount
- Wide input voltage, AC100 – 277V / AC200 – 480V
- Suitable for wet locations
- High-efficiency current driver
- cULus and DLC certified
- Contains no mercury
- Suitable for use in a variety of temperate conditions

BENEFITS

- Saves up to 60% energy consumption compared to traditional lighting
- Easy installation
- Maintenance free
- High quality and reliability
- Even light distribution
- Long life

APPLICATIONS

- Widely used for dark corridors, stairwells, entrances and exits, wall corners and any other areas that require illumination

WALL PACKS

LED Half Cut-off Wall Pack

Product Parameters

Model	Watt	Input Voltage	CCT	Light Output	CRI	Beam Angle	Warranty	Material
FDK-HWP45WXX-XXX	45	AC100-277V / AC200-480V	5000 K	≥ 4800 LM	≥ 80	60°90°	5 Years	Aluminum & PC
FDK-HWP07WXX-XXX	70			≥ 7200 LM				

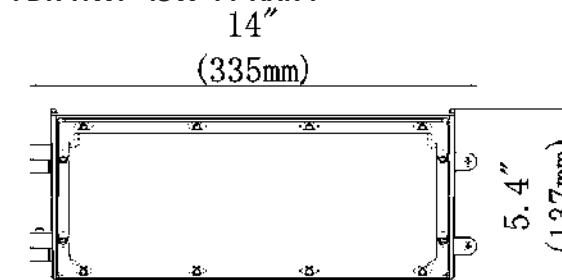
Product Order Code

WSD-HWPXXWXX-50K-XXX

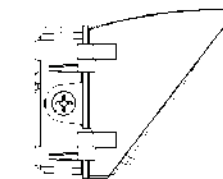
Product Series	Watt	Input Voltage	CCT	Control
HWP - Half Cut-off Wall Pack	45 - 45W 07 - 70W	27 - AC100-277V 48 - AC200-480V	50K- 5000K	P27 - 277V Photocell P48 - 480V Photocell

Product Dimensions

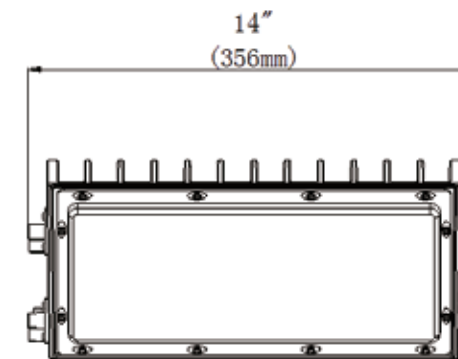
FDK-HWP-45W-YY-XXX-P



6.25" (159mm)



FDK-FWP-70W-YY-XXX-P



7.8" (200mm)

