

# TRACK LIGHTS

Slim 7W - 10W

Fudakin™ Slim Track Lights are a must for every planned retrofit or new construction. With fixtures and bulbs that can be at 7W or 10W, the Slim Track Light can replace any high output track head up to 75W, creating tremendous energy savings at an extremely affordable price.



## FEATURES

- Outstanding optical design providing efficient light source
- Extruded aluminum with anodized surface treatment helps to create state-of-the-art heat sink
- High lumen output is idea for illuminating large spaces
- Attractive styling and durability
- Suitable for damp locations
- Available in 2 light source options - individual MR16 bulb (7W) and integrative COB LED (10W)
- UL/CUL certified
- Available in 2700K – 5000K CCT
- Adjustable heads for multi-directional use
- Contains no mercury

## BENEFITS

- Saves up to 60% energy consumption compared to traditional lighting
- Easy installation
- Maintenance free
- High quality and reliability
- Even light distribution with multiple beam angles
- Long life

## APPLICATIONS

- As one of the most versatile light fixtures in the industry, track lights are highly utilized in retail stores, supermarkets and malls
- Also, many applications in exhibition halls, museums, galleries and display cases/cabinets



# TRACK LIGHTS

Slim 7W - 10W

## Product Parameters

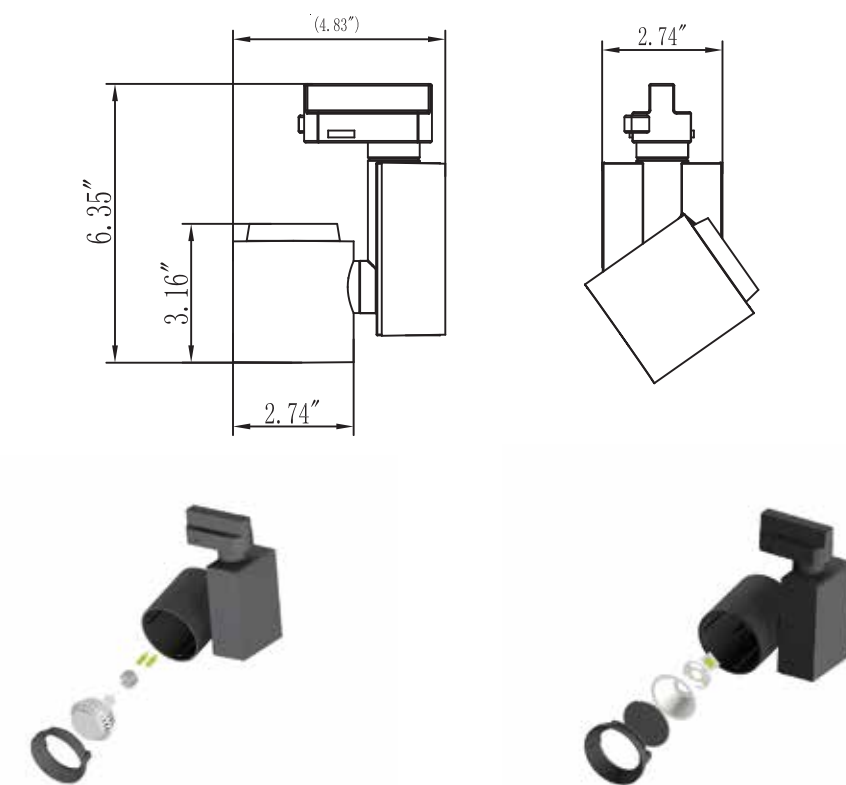
MODEL	Watts	Input Voltage	Luminous Flux	CCT	CRI	Beam Angle	Warranty	Working Temp.	Material
FDK-STL-07-XXX-YY-ZZ-D	7	AC120V	≥450lm	2700K 3000K 4000K 5000K	≥80	25° / 40°	5 Years	-30 - 50°C	Aluminum / Plastic
FDK-STL-10-XXX-YY-ZZ-D	10	AC100 - 270V	≥700lm			30° / 60°			

## Product Order Code

**FDK-STL-XXX-YY-ZZ-D**

Product Series	Wattage	CCT	Beam Angle	Body Colour	Dimmable
STL - Slim Track Light	07 - 7 watt 10 - 10 watt	27K - 2700K 30K - 3000K 40K - 4000K 50K - 5000K	25 - 25° 30 - 30° 40 - 40° 60 - 60°	WH = White BL = Black	D - Dimmable

## Product Dimensions



Light Source Option - 1  
MR16 Bulb 7W

Light Source Option - 2  
COB LED 10W