

SLIM SHOEBOX FLOOD

60W-100W-150W-200W-300W

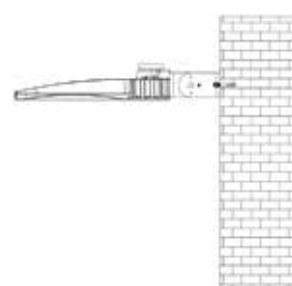
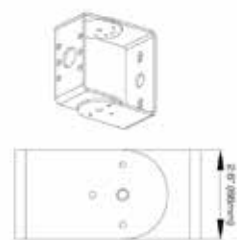
Fudakin™ Slim Shoebox Flood lights are a terrific source of light for any outdoor applications where illumination is required. With a stylish and modern design, the Fudakin™ Slim Shoebox Flood light has the ability to deliver high quality illumination to meet all of your outdoor lighting needs, while withstanding the most adverse climate conditions.



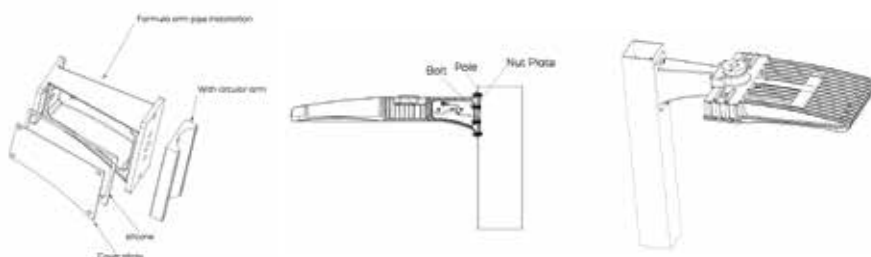
Slipper Fitting



Trunnion Mount



Square Pole Mount



FEATURES

- High strength aluminum alloy and corrosion resistant
- High lumen output which is ideal for illuminating large, open spaces
- Attractive styling and durability
- Offers direct wall or pole mount
- Suitable for wet locations
- Wide input voltage, AC100 – 277V/ AC200-480
- Available in 60W, 100W, 150W, 200W and 300W
- High-efficiency current driver
- cULus and DLC certified
- Suitable for use in a variety of temperate conditions
- Contains no mercury

BENEFITS

- Saves up to 60% energy consumption compared to traditional lighting
- Easy installation
- Maintenance free
- High quality and reliability
- Even light distribution with multiple beam angles available
- Long life

APPLICATIONS

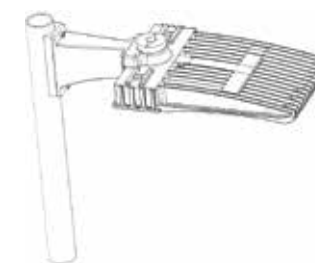
- Widely used for outdoor sports facilities such as basketball and tennis courts, football fields and gymnasiums
- Also very popular for illuminating billboards and outdoor signage



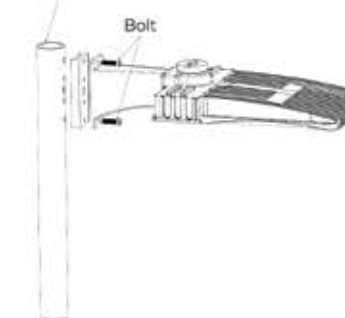
SLIM SHOEBOX FLOOD

60W-100W-150W-200W-300W

Round Pole Mount



Nut Plate



Product Parameters

MODEL	Watts	Input Voltage	Luminous Flux	CCT	CRI	Beam Angle	Distribution Type	Working Temp.
WSD-SB06WXX-XXK	60	AC100-277 AC200-480	≥ 7200	5000K	≥80	120°	Type II Type III Type V	-40 - 50°C
WSD-SB10WXX-XXK	100		≥ 11500					
WSD-SB15WXX-XXK	150		≥ 18000					
WSD-SB20WXX-XXK	200		≥ 20500					
WSD-SB30WXX-XXK	300		≥ 32000					

Product Order Code

WSD-SBWXXXX-XXK-TX-X-XXX

Product series	Wattage	Input Voltage	CCT	Distribution Type	Mount Type	Control
SB-Shoebox	06-60 watt 10-100 watt 15-150 watt	20-200 watt 30-300 watt	P27- AC120-277V P48 - AC200-480	50K-5000K	T2 T3 T5	A - Arm S - Slipper Fitting T - Trunnion P27-277V Photocell P48-480V Photocell

Product Dimensions

